

Roof walkway for standing seam roof T350B2

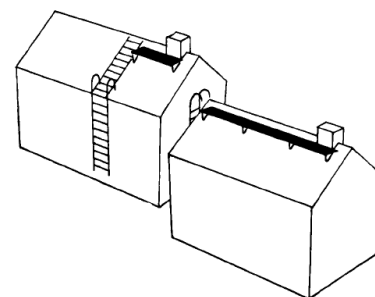
1. Instructions for use

- Roof walkways T350B2 are designed and manufactured according to SFS-EN 516, class 2. When installed according to these instructions, the roof walkway can be used as a safety line anchor point (= class 2).
- The safety line is attached around the walkway element between the fixtures, not on the fixtures.
- The safety line may only be used on the same roof plane as the walkway, in the direction of the eaves, and the line must be dimensioned in such a way that the user cannot fall over the eaves.
- An approved safety line (EN 353-2) with fall arrest system and length adjustment must be used. Retractable type fall arresters (EN 360) may be used instead of safety line.
- The roof walkway may only be used as safety line anchor point by one person at a time over a distance of 3 metres. The maximum weight of the person using the anchor point, incl. equipment, is 100 kg.
- The product may not be used if it is defective or incomplete.



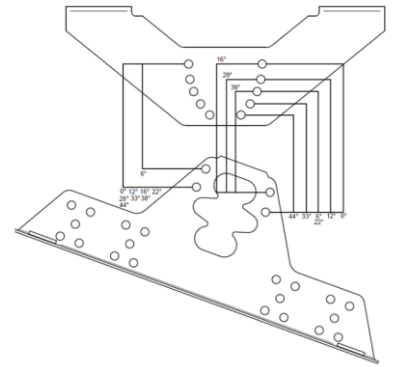
2. Planning

- Safe access must be provided for all items on the roof that need maintenance. Roof walkway is used for moving on the roof in the direction of the ridge.
- Roof walkways must be provided for all items on the roof that need maintenance if the slope of the roof is steeper than 1:8 (7°).
- Access to the roof can be arranged from the side or the end of the building. We recommend arranging access to the roof through wall ladders from the end of the building and continuing the access route without interruption as a roof walkway. A prerequisite for this is that the wall ladder and the roof walkway can be placed at the same location.
- If the building has ventilation or sewer lead-throughs, the best location for the roof walkway is usually above them since the roof walkway protects the lead-throughs from any snow sliding on the roof.
- Vesivek vertical safety rail can only be installed on class 2 roof walkways.
- The roof structures must fulfil the instructions of RT instruction card 85-10862.
- The minimum roof size for installation in accordance with class 2 is 2 m x 2 m.

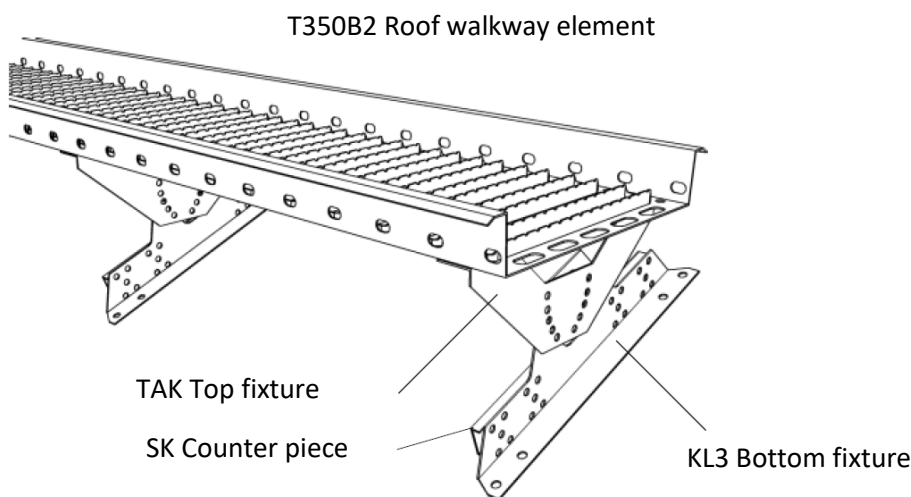


3. Dimensions and dimensioning of roof walkways

- The roof walkway length is 2.92 m. Consecutive elements overlap 0.12 m, i.e. the effective length is 2.80 m.
- The width of the walking platform is 350 mm and the snow permeability is over 50%.
- The maximum installation distance of the roof walkway fasteners is 1.2 m.
- The products are designed to sustain a point load of 1.5 kN (approximately 150 kg).
- The angle of the fixtures can be adjusted at 11-degree intervals between 0–45°.
- Closed boarding is recommended under the roof walkway.



4. Parts of the roof walkway

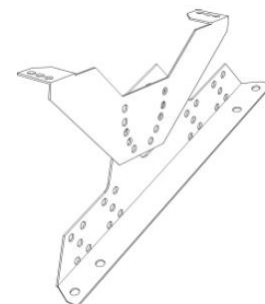


Product

- Roof walkway/350 2.92 m
- Roof fixture KL3 low
- Top fixture TAK 350
- SK Counter piece
- M8 x 20 mm hexagonal screw
- M8 x 30 mm hexagonal screw
- M8 nut

5. Installation order

1. Plan the placement.
2. Ensure that the boarding under the roof walkway is made of closed boarding as required by the RT instruction card. Check also that the number of fixture strips used for attaching the metal sheeting is adequate (RT instruction card 85-10562 "Kate sileästä ohutlevystä").
3. Measure the angle of the roof and assemble one fixture at an corresponding to that of the roof. To assemble one fixture, need 2 pcs. M8 x 20 mm bolts and M8 nuts. Try whether the is good. Adjust if necessary and then assemble all the fixtures (KL3+TAK+SK) on the ground at the correct angle. Assemble fixtures in Z shape as shown in the figure.



NOTE!
Points in different directions


4. Plan the fixture distribution. The most commonly used distribution is 1.04 m and the maximum distance is 1.2 m. Note that the fixtures closest to the ends may be maximum 0.25 m from the end of the roof walkway.
5. Mark the locations of the fixtures KL3 (using a chalk line, for example) and make sure that the fixtures are in line.
6. Attach the fixtures one by one. Always place the larger fixture (KL3) on the straight side of the seam so that the fixture stands vertical. Correspondingly, the U-shaped counter piece (SK) is placed on the overturned seam side.

Tighten the counter piece with four M8 x 30 mm hexagonal screws and M8 nuts. The tightness of the bolts is correct when the counter piece begins to bend at the bolt locations. Additional tightening does not help after this.

7. Finally, lift the roof walkway on the fixtures and attach it to each fixture with two M8 x 20 mm bolts and M8 nuts. If you connect several roof walkways to one another, note that one end of the walkway is narrower than the other so that the walkways overlap when you place the narrow end on top of the wider end. The sections must overlap over two "ribs". Place 2 pcs. M8 x 20 bolts and M8 nuts in the holes on the side edges at the overlap. You can cut the roof walkway with a hacksaw. The easiest way to do this is to cut at the longest hole location. If you use a hacksaw to cut on the roof, do not leave metal dust on the roofing since it will rust.

6. Maintenance

- Inspect the tightness of the roof walkway fixture screws every 4 months during the first year. After this, inspect once a year.
- In order to keep the installation as a class 2 system, the installation must be inspected once a year by an inspector authorised by the manufacturer.
- The roof walkway is not dimensioned to sustain the snow load of the entire roof and especially not moving masses of snow. Snow must, therefore, be prevented from moving and the stress must be directed at the snow guards.


Vesivek Tuotteet Oy Teollisuustie 8 FI-16300 ORIMATTILA 13
EN 516 - 2 - B Katon huoltotienä käytettävät kattosillat T350B2 DoP: vesivek.fi