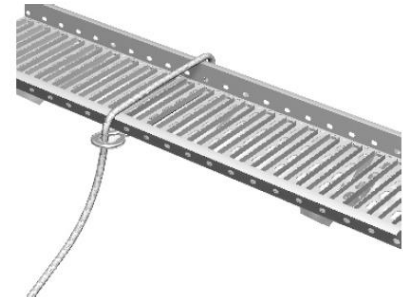


Roof walkway for corrugated steel roofing and metal multi-tile roofing T350B2

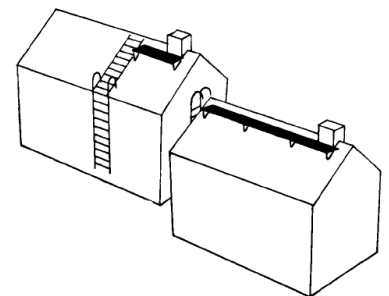
1. Instructions for use

- Roof walkways T350B2 are designed and manufactured according to SFS-EN 516, class 2. When installed according to these instructions, the roof walkway can be used as a safety line anchor point (= class 2).
- The safety line is attached around the walkway element between the fixtures, not on the fixtures.
- The safety line may only be used on the same roof plane as the walkway, in the direction of the eaves, and the line must be dimensioned in such a way that the user cannot fall over the eaves.
- An approved safety line (EN 353-2) with fall arrest system and length adjustment must be used. Retractable type fall arresters (EN 360) may be used instead of safety line.
- The roof walkway may only be used as safety line anchor point by one person at a time over a distance of 3 metres. The maximum weight of the person using the anchor point, including equipment, is 100 kg.
- The product may not be used if it is defective or incomplete.



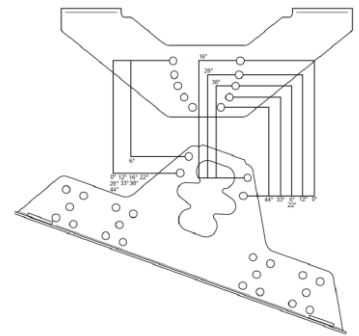
2. Planning

- Safe access must be provided for all items on the roof that need maintenance. Roof walkway is used for moving on the roof in the direction of the ridge.
- Roof walkways must be provided for all items on the roof that need maintenance if the slope of the roof is steeper than 1:8 (7°).
- Access to the roof can be arranged from the side or the end of the building. We recommend arranging access to the roof through wall ladders from the end of the building and continuing the access route without interruption as a roof walkway. A prerequisite for this is that the wall ladder and the roof walkway can be placed at the same location.
- If the building has ventilation or sewer lead-throughs, the best location for the roof walkway is usually above them since the roof walkway protects the lead-throughs from any snow sliding on the roof.
- Vesivek vertical safety rail can only be installed on class 2 roof walkways.



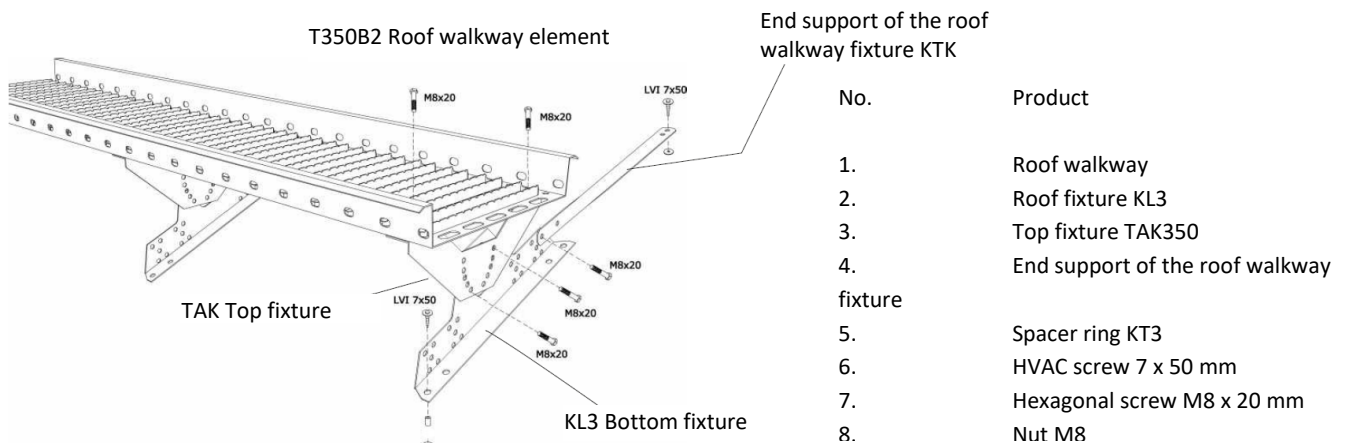
3. Dimensions and dimensioning of roof walkways

- The roof walkway length is 2.92 m. Consecutive elements overlap 0.12 m, i.e. the effective length is 2.80 m.
- The width of the walking platform is 350 mm.
- The maximum installation distance of the roof walkway fasteners is 1.2 m. The products are designed to sustain a point load of 1.5 kN (approximately 150 kg).
- The angle of the fixtures can be adjusted at 4-6 degree intervals between 0–44°.
- The roof walkway bottom fixture KL3 can be used on roofs where the distance between roof battens is 300, 350 or 400 mm.



4. Parts of the roof walkway and package contents

D. PARTS OF THE ROOF WALKWAY FIXTURE AND PACKAGE CONTENTS



5. Installation order

When installed according to the instructions, the roof walkway can be used as a safety line anchor point.

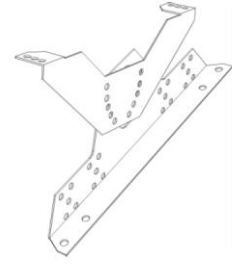
1. Plan the placement.
2. Ensure that the roof battens are full-edged and in conditions and that the dimensions are minimum:

roof truss distribution	900 mm =>	minimum roof batten size 28 x 100 mm
roof truss distribution	1,200 mm =>	minimum roof batten size 32 x 100 mm

Roof safety products are installed on close-grained roof battens of good quality, with few knots.

If steel battens are used, see section 6. If wood battens are used, you can ignore section 6. If the roof batten size is 22 x 100 mm, see section 8 and observe the changes.

3. Measure the angle of the roof and assemble one fixture (KL3 + TAK350) at an angle corresponding to that of the roof. To assemble one fixture, you need 2 pcs. M8 x 20 mm hexagonal screws and M8 nuts. Try whether the angle is good. Adjust if necessary and then assemble all the fixtures on the ground at the correct angle. Assemble according to figure 1, placing the points in different directions.



4. Plan the fixture distribution so that the bottom fixtures (KL3) are at the bottoms of the grooves. The maximum fixture distance is 1.2 m. Note that the fixtures closest to the ends may be maximum 0.25 m from the end of the roof walkway.
5. Mark the locations of the bottom fixtures KL3 (using a chalk line, for example) and make sure that the fixtures are in line. This is especially important for corrugated sheet roofing. On metal multi-tile roofing, the fixtures are placed in line naturally. Ensure that there is a roof batten underneath the planned attachment location for screwing on the 7 x 50 mm HVAC screw.
6. Installation on metal battens (this section 6 only applies to metal roof battens).
 - a) If the roofing has already been installed and no support battens or plywood min. 32 x 40 mm have been placed under the intended location of the roof walkway: In such a case, M8 mm internal threaded rivets and M8 x 20 mm hexagonal screws are used instead of the 7 x 50 mm HVAC screw for attaching to metal roof battens (the internal threaded rivets and M8 x 20 mm hexagonal screws are not included in the delivery).

1. NOTE! POINTS IN DIFFERENT DIRECTIONS

Ensure that there is a metal roof batten under the intended fixing location. If necessary, mark the roof batten locations.

Mark the drill hole locations using a bottom fixture (KL3) as a template.

Insert the internal threaded rivets in place and squeeze them (a special tool is needed for this).

Install the preassembled fixtures. Use Ø 25 x 5 mm EPDM rubber gaskets between the rivet and the fixture for sealing. Use M8 x 20 mm or M8 x 40 mm bolts to attach the fixtures.

End supports are always used with the roof walkway end fixtures. Attach with internal threaded rivets as above.



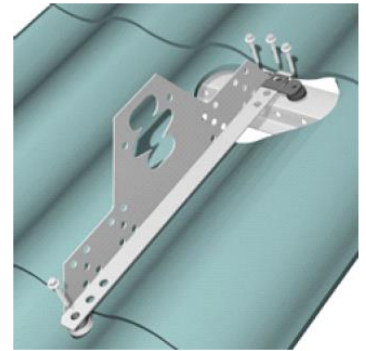
2. (as seen from below)

b) Installation using the LKP additional fixture part.

Pass the additional fixture part through the hole in the fixture.

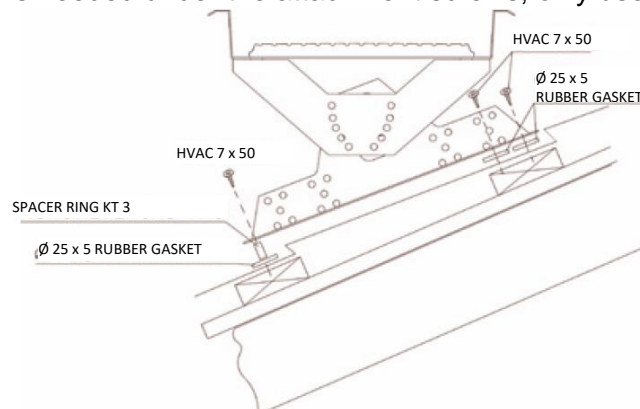
Use three 7 x 50 mm HVAC screws to attach the top end of the fixture, and use three round EPDM rubber gaskets, 25 mm, to seal the holes in the metal sheet.

Use one HVAC screw to attach the bottom end of the fixture through the spacer and the EPDM rubber gasket.



3. Installation using the LKP additional fixture part.

7. Attach the fixture with two 7 x 50 mm HVAC screw as shown in the figure. The screws may not be placed at the edge of the roof batten; they must be placed at least 15 mm from the edge. Seal the lead-throughs with \varnothing 25 x 5 EPDM rubber gaskets placed between the roofing and the fixture. In the case of metal multi-tile roofing, also place a 21 mm plastic spacer between the fixture and the rubber gasket (for a Finnera roof, the spacer height is 29 mm and the length of the front screw is 70 mm). In the case of corrugated steel roofing, no spacer is needed under the attachment screws; only use the rubber gaskets.



8. This section only applies to buildings where the roof batten thickness is 22 mm. If the thickness of the roof battens is minimum 28 mm, you can ignore this section. Attach the end supports of the roof walkway fixtures on the fixtures closest to the ends. Use one M8 x 20 mm hexagonal screw and an M8 nut to attach the end support to the 9 mm hole at the top corner of the actual fixture. Use one 7 x 50 mm HVAC screw to attach the top end of the end fixture on the roof batten. Place a \varnothing 25 x 5 mm EPDM rubber gasket between the end support and the roofing. No end supports are needed if an LKP additional fixture part is installed with each fixture. See section 6.2 for installation.
9. Finally, lift the roof walkway on the fixtures and attach it to each fixture with two M8 x 20 mm hexagonal screws and M8 nuts. If you connect several roof walkways to one another, note that one end of the walkway is narrower than the other so that the walkways overlap when you place the narrow end on top of the wider end. The sections must overlap over two "ribs". Place 2 pcs. M8 x 20 hexagonal screws and M8 nuts in the holes on the side edges at the overlap. You can cut the roof walkway with a hacksaw. The easiest way to do this is to cut at the longest hole location. If you use a hacksaw to cut on the roof, do not leave metal dust on the roofing since it will rust. Do not use an angle grinder for cutting.

6. Maintenance

- In order to keep the installation as a class 2 system, the installation must be inspected once a year by an inspector authorized by the manufacturer.
- The roof walkway is not dimensioned to sustain the snow load of the entire roof and especially not moving masses of snow. Snow must therefore be prevented from moving and the stress must be directed at the snow guards.


Vesivek Tuotteet Oy
Teollisuustie 8 FI-16300 ORIMATTILA
13
EN 516 - 2 - B
Katon huoltotienä käytettävät kattosillat T350B2
DoP: vesivek.fi